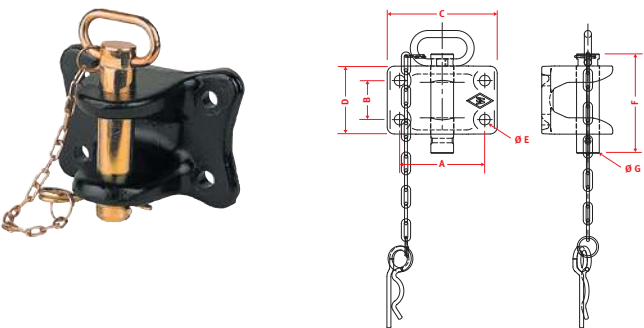
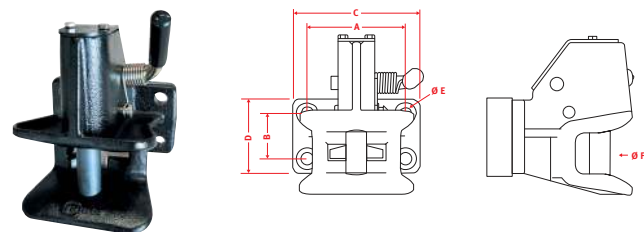


## SWITCH COUPLING KU601/602/603



reference	hole pattern	flange	drill hole	bolt	Ø bolt	towing capacity	item no.
	A x B [mm]	C x D [mm]	Ø E [mm]	F [mm]	G [mm]	[t]	
KU601	120x55	155x96	15	140	32	20	8002461
KU601NB35	120x55	155x96	15	140	35	25	8004720
KU602	140x80	200x140	17	170	35	25	8002462
KU603	160x100	200x140	21	170	35	25	8002463

## INDUSTRIAL COUPLING KU25



reference	hole pattern	flange	drill hole	bolt	max. vertical load	max. vertical load	item no.
	A x B [mm]	C x D [mm]	Ø E [mm]	Ø F [mm]	kg < 25 km/h	kg > 25 km/h	
Ku25-3	120x55	155x90	15	25	2500	2000	8002604
Ku25-3L	120x55	155x90	15	25	2500	2000	8004689

max. d-value **45 kN**



- switch-coupling DIN 15170



- fitted for coupler eyes DIN 74054, 8454, DIN 9678, VG74059, NFU14-022



- components tested according 77-389/EWG



- electrophoretic coating
- made of stainless-steel
- bolts 360° turnable
- KU25-3-L over-head turnable

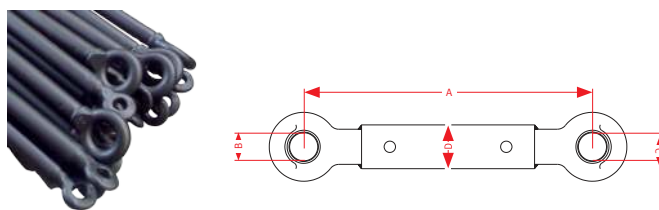


- fitted for coupler eyes DIN 8454 / DIN 74054 / ISO 8755



- homologation ABG-Nr.: M 9716

## TOW BARS WAL-AS



reference	distance	eye	eye	Ø	item no.
	A [mm]	Ø B [mm]	Ø C [mm]	Ø D [mm]	
AS3000-63x8 40/50	3000	40	50	63	8005083
AS2100-60x4 40/40	2100	40	40	60	8005095
AS2250-60x4 40/40	2250	40	40	60	8005096
AS2250-63x5 40/40	2250	40	40	63	8005097
AS2100-63x8 40/76	2100	40	76	63	8005098
AS2000-63x8 40/76	2000	40	76	63	8005099
AS1900-60x4 40/40	1900	40	40	60	8005100

## CHECK GAUGE PL-WAL

AUTOMATIC CLEVIS-TYPE/K80/ZO40



reference	name	item no.
PL-WAL	check gauge automati clevis-type coupling/K80/ZO40	8004932

## WALTERSCHEID – STRONG PARTNER FOR STRONG CONNECTIONS

Hydraulic toplinks with original Walterscheid hook, lower link hooks operated from the driver's seat, hydraulic lateral stabilizers for a safe and comfortable work in difficult terrain – only a few milestones in the world of coupling technology developed by Walterscheid within the last 30 years.

The integration of the former Walterscheid Cramer GmbH is another highlight and a big step forward on our track to bringing more convenience and safety into agricultural business. A wide range of coupling ladders including different inserts made Walterscheid into a full service provider for high quality coupling systems for tractors and self-propelled equipment. Focussing on safe and convenient coupling systems makes us an ideal partner for OEMs and farmers.

The automatic and non-automatic commercial vehicle couplings included in the product range of Walterscheid GmbH are distinguished by their innovative design which makes it possible to replace worn and defective components in a quick and cost-effective manner. The NFZ couplings offered by Walterscheid are commonly used in construction and forestry machinery, but can also be found in other applications where quick and easy manoeuvring is essential.

### Off-Highway Powertrain Services GmbH

Heiligenstädter Straße 17a  
D-37351 Dingelstädt  
phone: +49 36075 573-0  
fax: +49 36075 573-23

[hitches@walterscheid.com](mailto:hitches@walterscheid.com)  
[www.walterscheid.com](http://www.walterscheid.com)

For more information and technical details please call our hotline or download the latest version of the couplings catalogue on [www.walterscheid.com](http://www.walterscheid.com)

### Walterscheid GmbH

Hauptstraße 150  
D-53797 Lohmar  
phone: +49 22 46 12-0  
fax: +49 22 46 12 35-01

[www.walterscheid.com](http://www.walterscheid.com)



TCR 02068 0112 XX XXX © Printed in Germany

## WALTERSCHEID COUPLING SYSTEMS for COMMERCIAL VEHICLES

**SERIES**  
Ku4000 / Ku4010  
Ku600 / Ku25

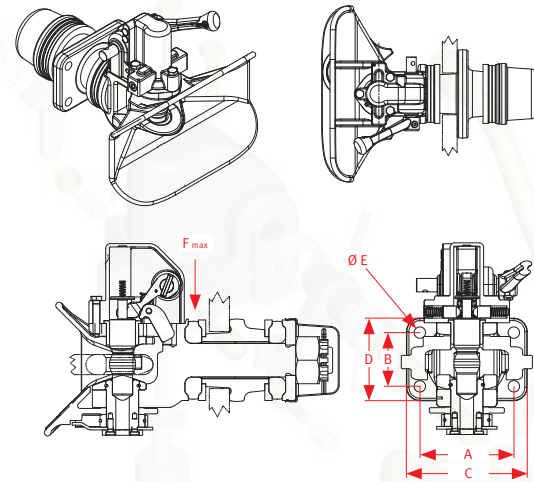
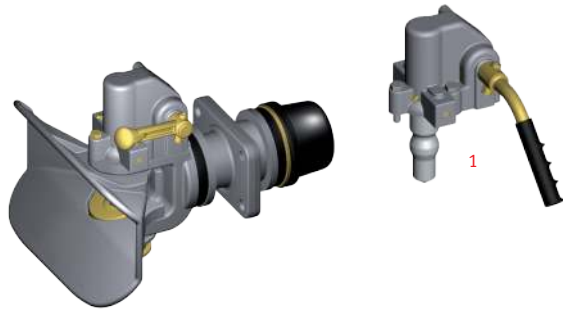


**WALTERSCHEID**  
– strong partner  
for strong connections

## CV AUTOMATIC CLEVIS-TYPE COUPLING

### SERIES 4000

PIN LIFTING SYSTEM  
SHANK BEARING, RESILIENT



reference	homologation		lever	size DIN 74051	D-value kN	Dc-value kN	vertical load kg	V-Value kN	weight kg	AP-Code	item no.
	EG	ABG									
KU4003NA	e1*94/20*1096*00	M9637	▲	135	70	70	700	27	26	A-F-DA1-FS1-C-RC0-DH-0	8002750
KU4003NB	e1*94/20*1096*00	M9637	▼ 1	135	70	70	700	27	26	A-F-DA1-FS1-C-RC0-DH-0	8002751
KU4004NA	e1*94/20*1097*00	M9638	▲	145	100	92	1000	38	31	A-F-DA1-FS1-C-RC0-DH-0	8002752
KU4004NB	e1*94/20*1097*00	M9638	▼ 1	145	100	92	1000	38	31	A-F-DA1-FS1-C-RC0-DH-0	8002753
KU4005NA	e1*94/20*1098*00	M9639	▲	150	130	92	1000	38	33	A-F-DA1-FS1-C-RC0-DH-0	8002754
KU4005NB	e1*94/20*1098*00	M9639	▼ 1	150	130	92	1000	38	33	A-F-DA1-FS1-C-RC0-DH-0	8002755

### Dimensions

reference	A	B	C	D	E	F max
	[mm]	[mm]	[mm]	[mm]	[mm]	[mm]
KU4003NA	120	55	155	90	15	74
KU4003NB	120	55	155	90	15	74
KU4004NA	140	80	180	120	17	84
KU4004NB	140	80	180	120	17	84
KU4005NA	160	100	200	140	21	94
KU4005NB	160	100	200	140	21	94

- fitted for coupler eyes DIN 74054
- comes with 360° free turnable pin

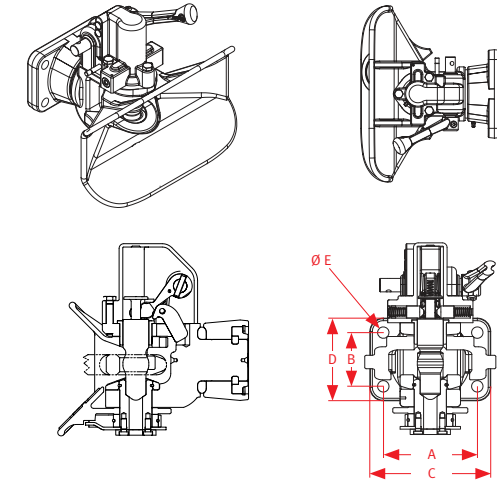
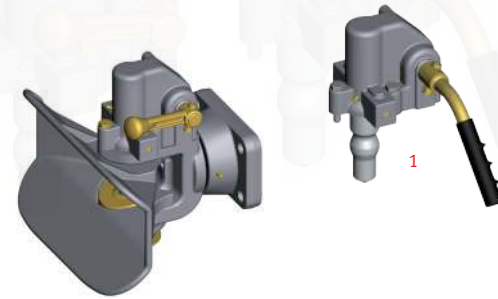


- all models come with Dc and V-values higher than DIN standard

## CV AUTOMATIC CLEVIS-TYPE COUPLING

### SERIES 4010

PIN LIFTING SYSTEM  
FLANGE BEARING



reference	homologation		lever	size DIN 74051	D-value kN	Dc-value kN	vertical load kg	V-value kN	weight kg	AP-Code	item no.
	EG										
KU4013NA	e1*94/20*1474*00		▲	135	70	50	500	20	25	A-F-DA0-FS1-C-RC0-EH-0	8002756
KU4013NB	e1*94/20*1474*00		▼ 1	135	70	50	500	20	25	A-F-DA0-FS1-C-RC0-EH-0	8002757
KU4014NA	e1*94/20*1176*00		▲	145	100	70	1000	25	25	A-F-DA0-FS1-C-RC0-EH-0	8002758
KU4014NB	e1*94/20*1176*00		▼ 1	145	100	70	1000	25	25	A-F-DA0-FS1-C-RC0-EH-0	8002759
KU4015NA	e1*94/20*1177*00		▲	150	130	70	1000	25	28	A-F-DA0-FS1-C-RC0-EH-0	8002760
KU4015NB	e1*94/20*1177*00		▼ 1	150	130	70	1000	25	28	A-F-DA0-FS1-C-RC0-EH-0	8002761

### Dimensions

reference	A	B	C	D	E
	[mm]	[mm]	[mm]	[mm]	[mm]
KU4013NA	120	55	155	95	15
KU4013NB	120	55	155	95	15
KU4014NA	140	80	180	120	17
KU4014NB	140	80	180	120	17
KU4015NA	160	100	200	140	21
KU4015NB	160	100	200	140	21


- fitted for coupler eyes DIN 74054
- comes with 360° free turnable pin




- all models come with Dc and V-values higher than DIN standard

## TOWING EYES


### TOWING EYE ZO40 DIN 74054 WITH FLANGE

	reference	flangelochbild [mm]	item no.Nr.
	ZO74054-40D-6	100 x 110	8002253
	ZO74054-40D-8	100 x 110	8004912


### TOWING EYE ZO40 DIN 11026 WITH FLANGE

	reference	flangelochbild [mm]	item no.Nr.
	ZO11026-40B	100 x 110	8000616
	ZO11026-40BV	145 x 145	8003466


### TOWING EYE ZO50 DIN 74053 WITH FLANGE

	reference	flangelochbild [mm]	item no.Nr.
	ZO74053-50D1	100 x 110	8000537
	ZO74053-50D2	130 x 130	8002261

### TOWING EYE ZO57 WITH FLANGE

	reference	flangelochbild [mm]	item no.Nr.
	ZO57-B	140 x 160	8002651

### TOWING EYE ZO76 VG 74059 WITH FLANGE

	reference	flangelochbild [mm]	item no.Nr.
	ZO74059-76B	130 x 130	8004927

### TOWING EYE ZO35 DIN 8454 WITH WELD JUNCTION

	reference	flangelochbild [mm]	item no.Nr.
	ZO35-35x35	-	8004765